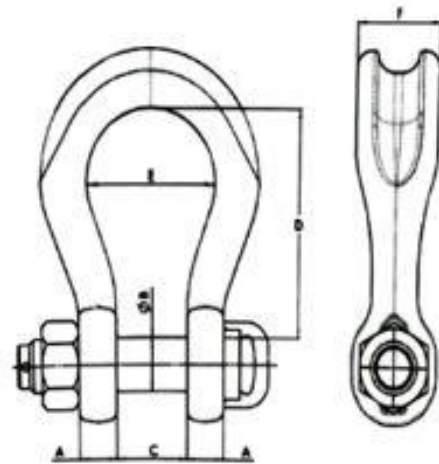




TW PRODUCTS

Chain, Wire Rope & Rigging Hardware

WIDE BODY SHACKLE



| W.L.L. (t) | Weight (lbs) | Dimensions | | | | | |
|---------------|-----------------|------------|-----|-----|-----|-----|-----|
| | | A | B | C | D | E | F |
| 30 | 24 | 40 | 42 | 65 | 165 | 127 | 79 |
| 40 | 44 | 45 | 51 | 80 | 200 | 140 | 97 |
| 55 | 66 | 55 | 57 | 85 | 240 | 160 | 100 |
| 75 | 110 | 70 | 70 | 105 | 290 | 186 | 120 |
| 125 | 202 | 85 | 80 | 130 | 365 | 220 | 150 |
| 150 | 277 | 89 | 95 | 140 | 390 | 250 | 170 |
| 200 | 404 | 100 | 105 | 150 | 480 | 276 | 205 |
| 250 | 594 | 110 | 120 | 170 | 540 | 300 | 240 |
| 300 | 825 | 122 | 134 | 185 | 600 | 350 | 265 |
| 400 | 1269 | 145 | 160 | 220 | 575 | 370 | 320 |
| 500 | 1672 | 160 | 180 | 250 | 680 | 450 | 340 |
| 600 | 2173 | 170 | 200 | 275 | 740 | 490 | 370 |