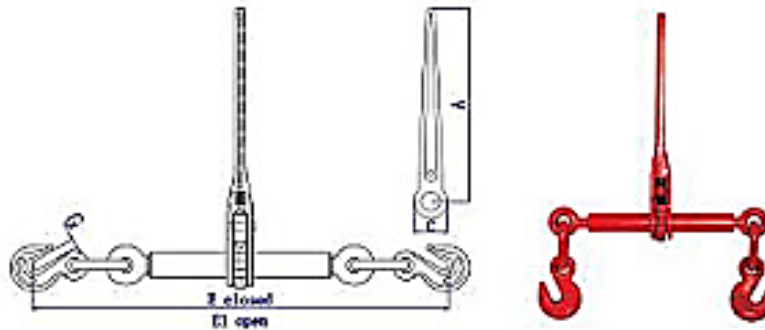




TW PRODUCTS

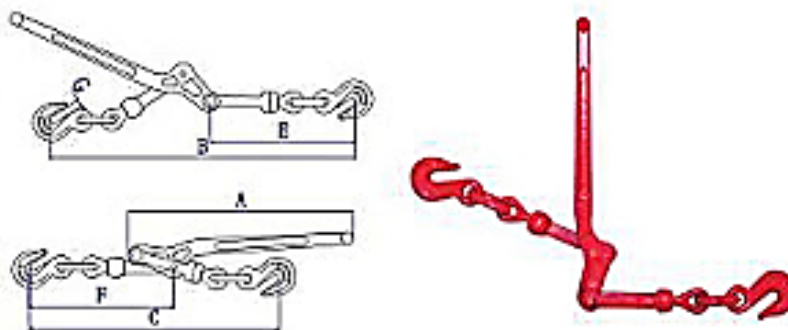
Chain, Wire Rope & Rigging Hardware

Ratchet Type Load Binder



Size Of Chain		Dimensions (in)					W.L.L. (LBS) M.B.S. (>LBS)		Weight (LBS)
in	mm	A	C	E	E1	G			
1/4	6	8.15	1.65	16.73	20.24	0.37	2600	9100	4.05
5/16-3/8	8-10			23.68	30.81	0.50	6600	26400	10.97
3/8-1/2	10-13	14.00	2.52	24.94	32.07	0.66	9200	33000	11.67
1/2-5/8	13-16			25.79	29.49	0.73	13000	46000	13.95

Lever Type Load Binder



Size Of Chain		Dimensions (in)						W.L.L. (LBS) M.B.S. (>LBS)		Weight (LBS)
in	mm	A	B	C	E	F	G			
1/4	6	11.81	17.52	14.76	8.45	8.23	0.37	2600	9100	3.88
5/16-3/8	8-10	16.26	22.44	18.11	10.43	10.24	0.50	5400	21600	8.13
3/8-1/2	10-13	18.73	27.36	22.24	12.80	12.76	0.66	9200	3300	12.54
1/2-5/8	13-16	21.77	33.39	26.77	15.55	15.39	0.73	13000	46000	20.97