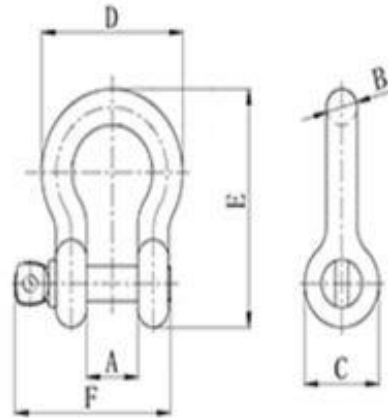




TW PRODUCTS

Chain, Wire Rope & Rigging Hardware

BOW SHACKLE



Size(in.)	W.L.L.(t)	Weight Each (lbs)	Dimensions(mm)					
			A	B	C	D	E	F
3/16	1/3	0.027	9.6	4.82	14.22	24.89	37.34	28.95
1/4	1/2	0.045	11.94	6.35	15.49	32.51	46.74	36.32
5/16	3/4	0.08	13.46	7.87	19.05	37.33	53.09	43.43
3/8	1	0.14	16.76	9.65	23.11	45.21	63.24	51.31
7/16	1-1/2	0.17	19	11.18	26.92	51.56	73.91	60.19
1/2	2	0.33	20.6	12.70	30.23	58.67	83.31	68.33
5/8	3-1/4	0.62	26.92	16.00	38.10	74.67	106.42	84.83
3/4	4-3/4	1.07	31.75	19.05	45.97	88.90	126.23	100.83
7/8	6-1/2	1.65	36.57	22.35	53.09	102.36	148.08	114.30
1	8-1/2	2.29	42.93	25.4	60.45	119.12	166.62	130.30
1-1/8	9-1/2	3.37	45.97	29.46	68.33	131.06	189.73	145.03
1-1/4	12	4.32	51.56	32.77	76.20	146.05	209.55	158.75
1-3/8	13-1/2	6.15	57.15	36.07	84.07	162.05	232.66	173.48
1-1/2	17	7.82	60.45	39.12	92.20	174.75	254.00	186.18
1-3/4	25	12.63	73.15	46.73	106.43	225.04	313.43	230.12
2	35	20.45	82.55	52.83	122.17	253.23	346.20	263.14
2-1/2	55	38.98	104.90	68.83	144.53	326.89	453.13	330.20